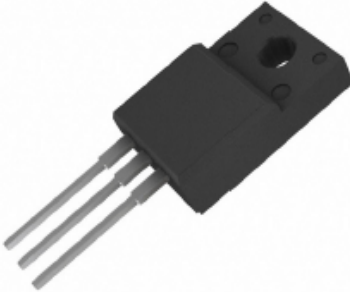
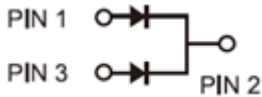


<p><b>Excellent Schottky Rectifier</b></p>	<p><b>REVERSE VOLTAGE - 60 Volts</b> <b>FORWARD CURRENT - 10.0 Amperes</b></p>
<p><b>FEATURES</b></p> <ul style="list-style-type: none"> <li>• Low power loss, high efficiency</li> <li>• Low forward voltage drop</li> <li>• High forward surge capability</li> <li>• High frequency operation</li> <li>• Excellent high temperature stability</li> <li>• Excellent Schottky technology</li> </ul> <p><b>MECHANICAL DATA</b></p> <ul style="list-style-type: none"> <li>• Case: TO-220F</li> <li>• Polarity: As marked</li> <li>• Weight: Approximated 1.6 grams</li> </ul>	<p>TO-220F</p>  

<p><b>MAXIMUM RATINGS AND ELECTRICAL CHARACTERISTICS</b>  Ratings at 25°C ambient temperature unless otherwise specified.  Single phase, half wave, 60Hz, resistive or inductive load.  For capacitive load. derate current by 20%</p>
--

Characteristics	Symbol	Value		Unit
Maximum Repetitive Peak Reverse Voltage	$V_{RRM}$	60		V
RMS Reverse Voltage	$V_{RMS}$	42		V
Forward Voltage Drop $I_F=2A$ ( $T_J=25^\circ C$ ) $I_F=5 A$ ( $T_J=25^\circ C$ )	$V_F$	Typ. 0.42 -	Max. - 0.60	V
Maximum Reverse Current at Rated $V_{RRM}$ $T_J=25^\circ C$ $T_J=125^\circ C$	$I_R$	Max. 500 15		$\mu A$ mA
Maximum Average Forward Rectified Current Total device Per diode	$I_O$	10 5		A
Peak Forward Surge Current, 8.3 ms Single Half Sine-wave Superimposed on Rated Load (JEDEC method)	$I_{FSM}$	100		A
Peak Repetitive Reverse Current at $t_p=2 \mu s$ , 1 kHz,	$I_{RRM}$	1.0		A
Operating and Storage Temperature Range	$T_J, T_{STG}$	-55 to +150		°C

**Rating and Characteristic Curves**

FIG. 1-Typical Forward Current Derating Curve

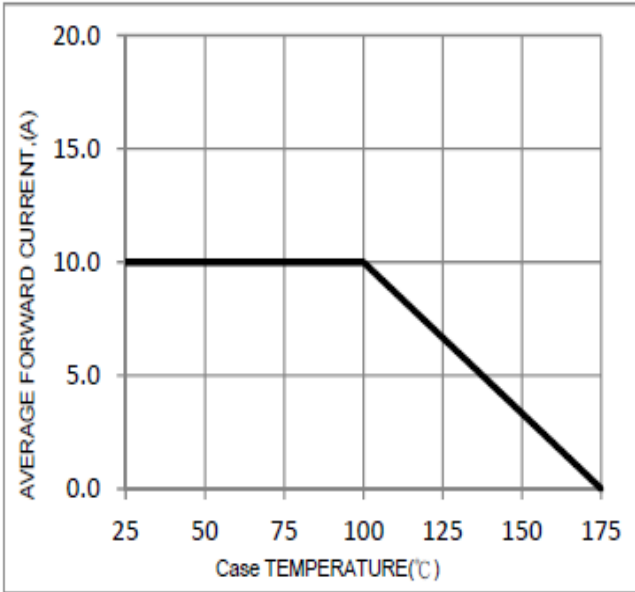


FIG. 2-Typical Forward Characteristics

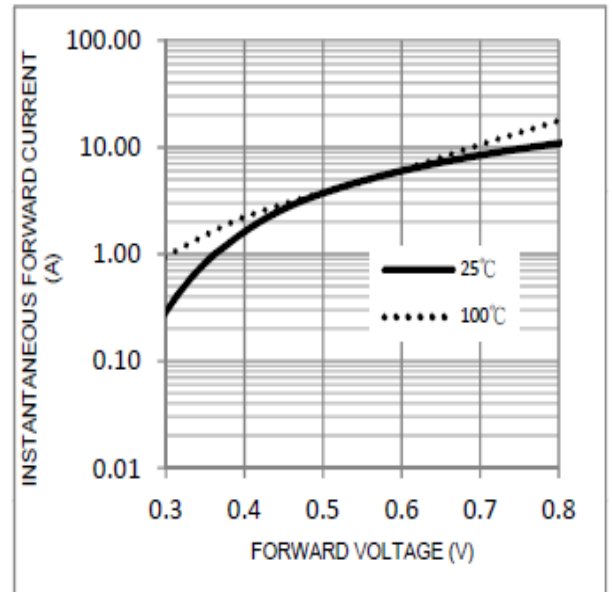


FIG. 3-Maximum Non-Repetitive Forward Surge Current

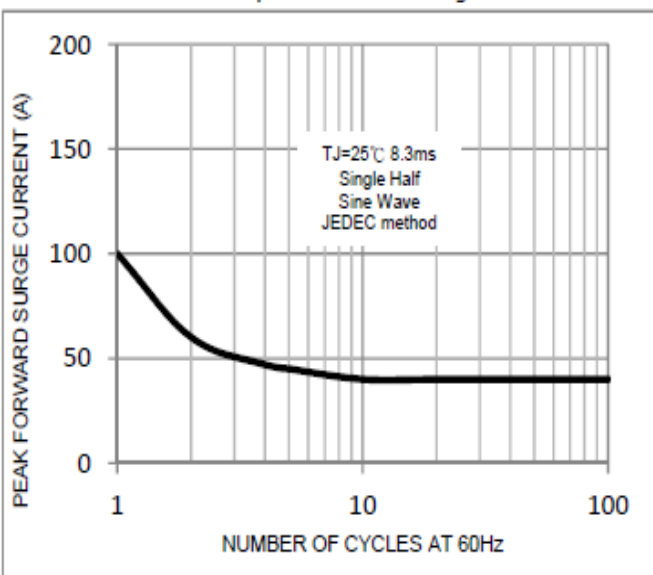


FIG. 4-Typical Reverse Characteristics

