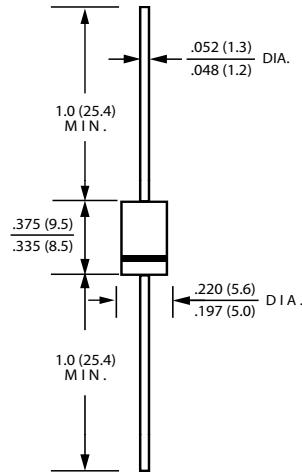


<p>Excellent Schottky Rectifier</p>	<p>REVERSE VOLTAGE - 40 Volts FORWARD CURRENT - 5.0 Amperes</p>
<p>FEATURES</p> <ul style="list-style-type: none"> • Low power loss, high efficiency • Low forward voltage drop • High forward surge capability • High frequency operation • Excellent high temperature stability • Excellent Schottky technology <p>MECHANICAL DATA</p> <ul style="list-style-type: none"> • Case: DO-201AD • Polarity: Cathode Band • Weight: Approximated 1.071 grams 	 <p>DO-201AD Dimensions in inches and (millimeters)</p>

<p>MAXIMUM RATINGS AND ELECTRICAL CHARACTERISTICS</p> <p>Ratings at 25°C ambient temperature unless otherwise specified. Single phase, half wave, 60Hz, resistive or inductive load. For capacitive load. derate current by 20%</p>
--

Characteristics	Symbol	Value	Unit
Maximum Repetitive Peak Reverse Voltage	V_{RRM}	40	V
RMS Reverse Voltage	V_{RMS}	28	V
Maximum Forward Voltage $I_F=2A$ ($T_J=25^\circ C$) $I_F=5 A$ ($T_J=25^\circ C$)	V_F	0 D [0.37 0.48	V
Maximum Reverse Current at Rated V_{RRM} $T_J=25^\circ C$ $T_J=100^\circ C$	I_R	0.5 10	mA
Maximum Average Forward Rectified Current Total device	I_F	5	A
Peak Forward Surge Current, 8.3 ms Single Half Sine-wave Superimposed on Rated Load (JEDEC method)	I_{FSM}	100	A
Typical Thermal Resistance	R_{JC}	30	°C/W
Operating and Storage Temperature Range	T_J, T_{STG}	-55 to +150	°C

Rating and Characteristic Curves

FIG. 1-Typical Forward Current Derating Curve

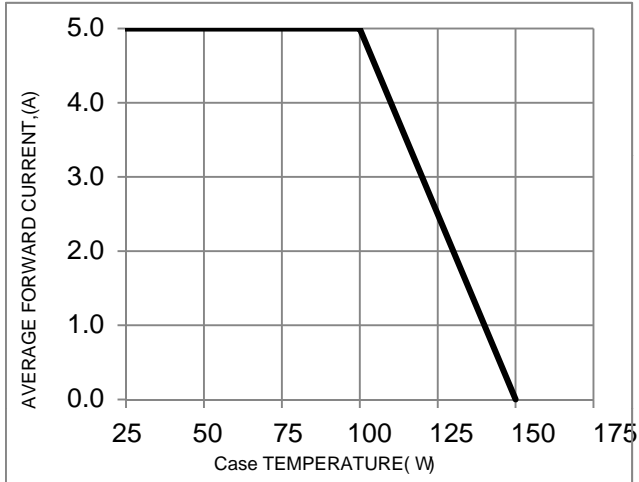


FIG. 2-Typical Forward Characteristics

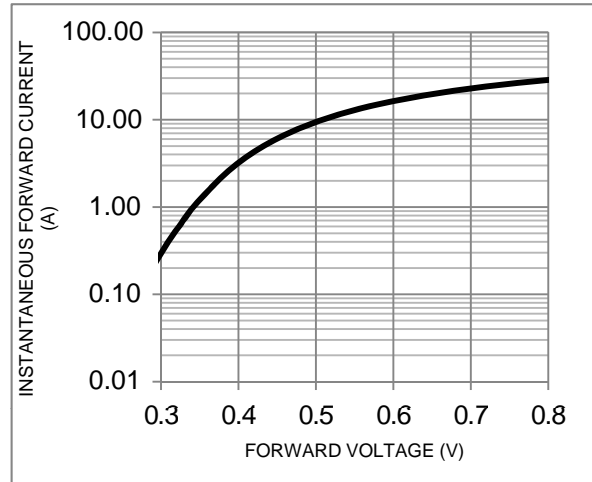


FIG. 3-Maximum Non-Repetitive Forward Surge

