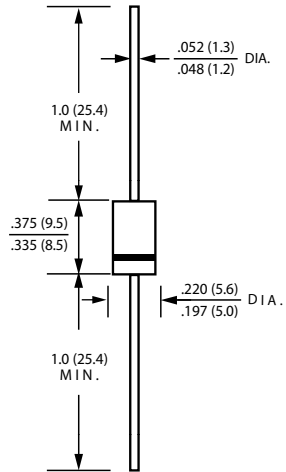


Excellent Schottky Rectifier	REVERSE VOLTAGE - 150 Volts FORWARD CURRENT - 5.0 Amperes
<p>FEATURES</p> <ul style="list-style-type: none"> • Low power loss, high efficiency • Low forward voltage drop • High forward surge capability • High frequency operation • Excellent high temperature stability • Excellent Schottky technology <p>MECHANICAL DATA</p> <ul style="list-style-type: none"> • Case: DO-201AD • Polarity: Cathode Band • Weight: Approximated 1.071 grams 	<p>DO-201AD</p>  <p>DO-201AD Dimensions in inches and (millimeters)</p>

MAXIMUM RATINGS AND ELECTRICAL CHARACTERISTICS
Ratings at 25°C ambient temperature unless otherwise specified.
Single phase, half wave, 60Hz, resistive or inductive load.
For capacitive load. derate current by 20%

Characteristics	Symbol	Value		Unit
Maximum Repetitive Peak Reverse Voltage	V_{RRM}	150		V
RMS Reverse Voltage	V_{RMS}	105		V
Forward Voltage Drop $I_F=1A$ ($T_J=25^\circ C$) $I_F=5 A$ ($T_J=25^\circ C$)	V_F	Typ. 0.61 -	Max. - 0.85	V
Maximum Reverse Current at Rated V_{RRM} $T_J=25^\circ C$ $T_J=100^\circ C$	I_R	Max. 200 0.5		μA mA
Maximum Average Forward Rectified Current Total device	I_F	5		A
Peak Forward Surge Current, 8.3 ms Single Half Sine-wave Superimposed on Rated Load (JEDEC method)	I_{FSM}	100		A
Peak Repetitive Reverse Current at $t_p=2 \mu s$, 1 kHz,	I_{RRM}	1.0		A
Operating and Storage Temperature Range	T_J, T_{STG}	-55 to +150		°C

Rating and Characteristic Curves

FIG. 1-Typical Forward Current Derating Curve

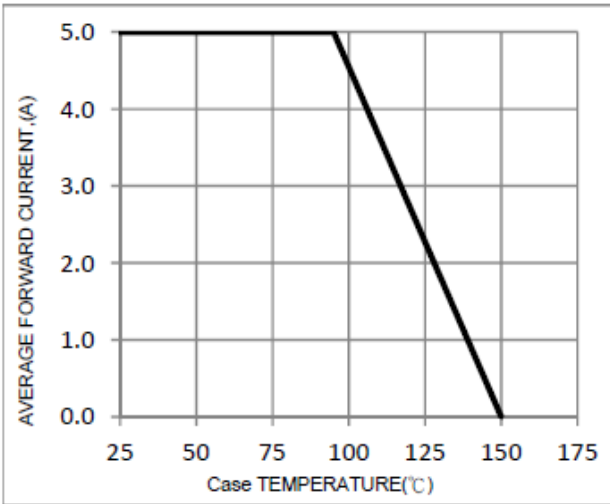


FIG. 2-Typical Forward Characteristics

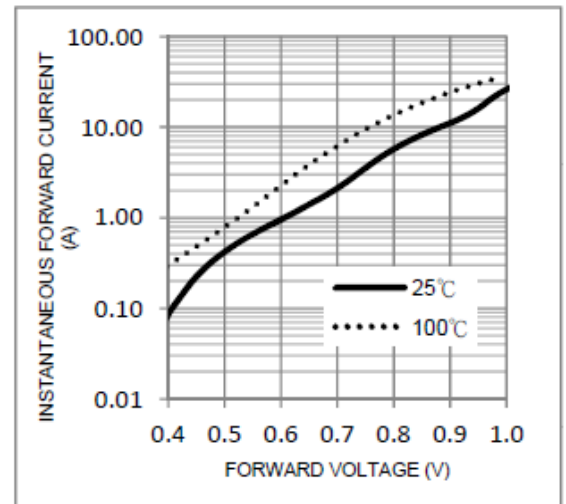


FIG. 3-Maximum Non-Repetitive Forward Surge Current

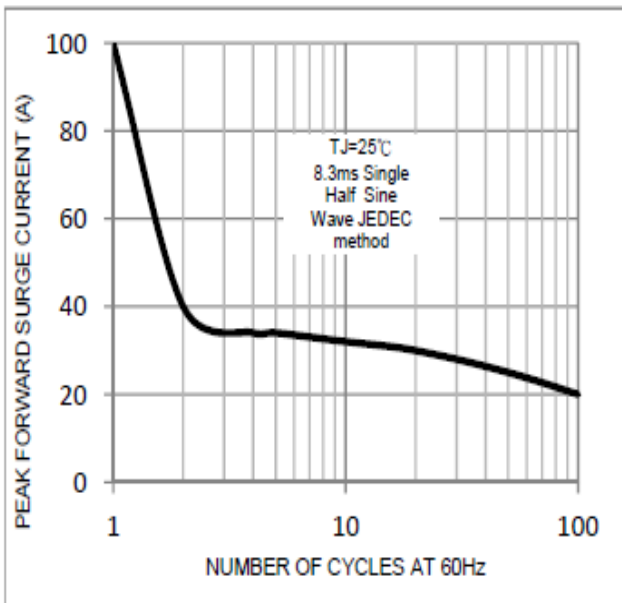


FIG. 4-Typical Reverse Characteristics

