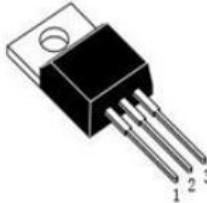
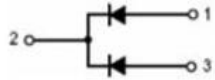
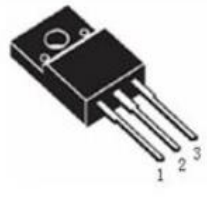


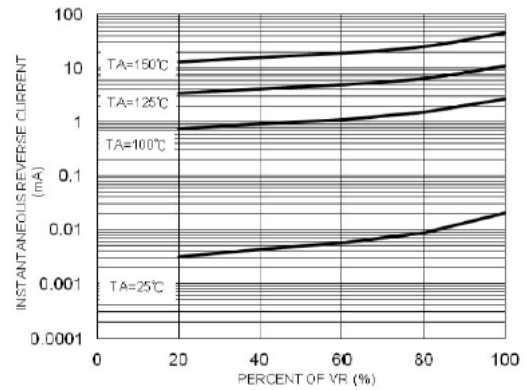
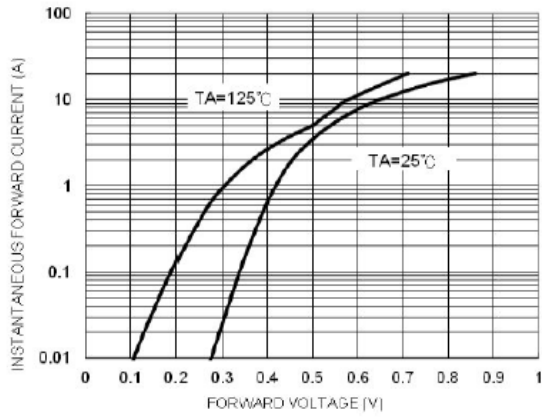
LOW VF SCHOTTKY RECTIFIERS	REVERSE VOLTAGE 100 Volts FORWARD CURRENT 20 Amperes
<p>FEATURES</p> <ul style="list-style-type: none"> • Schottky Barrier Chip • Low Power Loss,High Efficiency • High Surge Capability • High frequency operation • High Current Capability and Low Forward Voltage Drop <p>MECHANICAL DATA</p> <ul style="list-style-type: none"> • Case: TO-220, TO-220F • Polarity: As Marked 	<div style="display: flex; justify-content: space-around;"> <div style="text-align: center;"> <p>S20U100CT</p>  <p>TO-220</p>  </div> <div style="text-align: center;"> <p>S20U100FCT</p>  <p>TO-220F</p> <p>1、 ANODE 2、 CATHODE 3、 ANODE</p> </div> </div>

MAXIMUM RATINGS AND ELECTRICAL CHARACTERISTICS
Ratings at 25 °C ambient temperature unless otherwise specified.
Single phase, half wave, 60Hz, resistive or inductive load.
For capacitive load, derate current by 20%

Characteristics		Symbol	S20U100CT	S20U100FCT	Unit
Peak Repetitive Reverse Voltage		V_{RRM}	100		V
Working Peak Reverse Voltage		V_{RWM}	100		V
DC Blocking Voltage		V_{DC}	100		V
Maximum Instaneous Forward Voltage $I_F=5A T_C=25^{\circ}C$ $I_F=5A T_C=125^{\circ}C$ $I_F=10A T_C=25^{\circ}C$ $I_F=10A T_C=125^{\circ}C$		V_F	Typ. 0.54 0.5 0.65 0.58		V
Maximum Reverse Current at Rated at Rated DC Blocking Voltage		I_R	0.1 20		mA
Average Output Rectifie Current (per leg) (total device)		I_F	10 20		A
Non-Repetitive Peak Surge Current Surge applied at rated load conditions halfwave,single phase,60Hz		I_{FSM}	275		A
Maximum Thermal Resistance	TO-220	$R_{\theta JC}$	2		°C/W
	TO-220F		4		
	TO-220	$R_{\theta JA}$	60		
	TO-220F				
Junction and StorageTemperature Range		T_J, T_{STG}	-65 to +150		°C

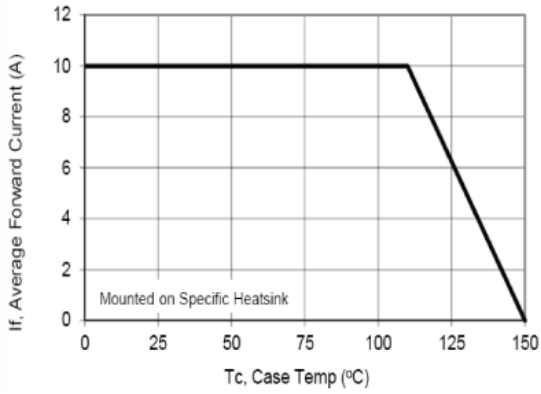
--	--

Rating and Characteristic Curves

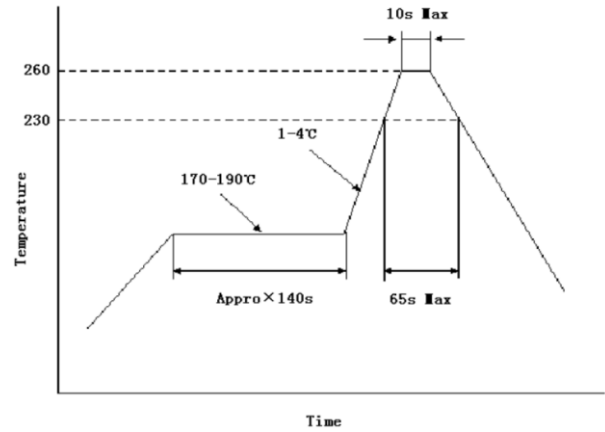


Typical Reverse Current Per Diode

Typical Forward Voltage Per Diode



Average Forward Current vs. Case Temperature Per Diode



Reflow Soldering Temperature Profile

TO-220F MECHANICAL DATA

UNIT: mm

SYMBOL	MIN	NOM	MAX	SYMBOL	MIN	NOM	MAX
A	4.5		4.9	E1	6.5	7	7.5
A1	2.3		2.9	e	2.44	2.54	2.64
b	0.65		0.9	L	12.5		14.3
b1	1.1		1.7	L1	9.45		10.05
b2	1.2		1.4	L2	15		16
c	0.35		0.65	L3	3.2		4.4
D	14.5		16.5	ΦP	3		3.3
D1	6.1		6.9	Q	2.5		2.9
E	9.6		10.3				

