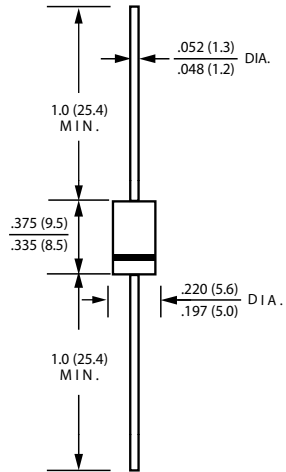


<b>Excellent Schottky Rectifier</b>	<b>REVERSE VOLTAGE - 200 Volts</b> <b>FORWARD CURRENT - 3.0 Amperes</b>
<p><b>FEATURES</b></p> <ul style="list-style-type: none"> <li>• Low power loss, high efficiency</li> <li>• Low forward voltage drop</li> <li>• High forward surge capability</li> <li>• High frequency operation</li> <li>• Excellent high temperature stability</li> <li>• Excellent Schottky technology</li> </ul> <p><b>MECHANICAL DATA</b></p> <ul style="list-style-type: none"> <li>• Case: DO-201AD</li> <li>• Polarity: Cathode Band</li> <li>• Weight: Approximated 1.071 grams</li> </ul>	<p><b>DO-201AD</b></p>  <p><b>DO-201AD</b> Dimensions in inches and (millimeters)</p>

<p><b>MAXIMUM RATINGS AND ELECTRICAL CHARACTERISTICS</b></p> <p>Ratings at 25°C ambient temperature unless otherwise specified. Single phase, half wave, 60Hz, resistive or inductive load. For capacitive load. derate current by 20%</p>
--

Characteristics	Symbol	Value		Unit
Maximum Repetitive Peak Reverse Voltage	$V_{RRM}$	200		V
RMS Reverse Voltage	$V_{RMS}$	140		V
Forward Voltage Drop $I_F=3\text{ A}$ ( $T_J=25^\circ\text{C}$ )	$V_F$	Typ.	Max.	V
		-	0.77	
Maximum Reverse Current at Rated $V_{RRM}$ $T_J=25^\circ\text{C}$ $T_J=100^\circ\text{C}$	$I_R$	Max. 200 10		$\mu\text{A}$ mA
Maximum Average Forward Rectified Current Total device	$I_F$	3		A
Peak Forward Surge Current, 8.3 ms Single Half Sine-wave Superimposed on Rated Load (JEDEC method)	$I_{FSM}$	80		A
Peak Repetitive Reverse Current at $t_p=2\ \mu\text{s}$ , 1 kHz,	$I_{RRM}$	1.0		A
Operating and Storage Temperature Range	$T_J, T_{STG}$	-55 to +150		°C

**Rating and Characteristic Curves**

FIG. 1-Typical Forward Current Derating Curve

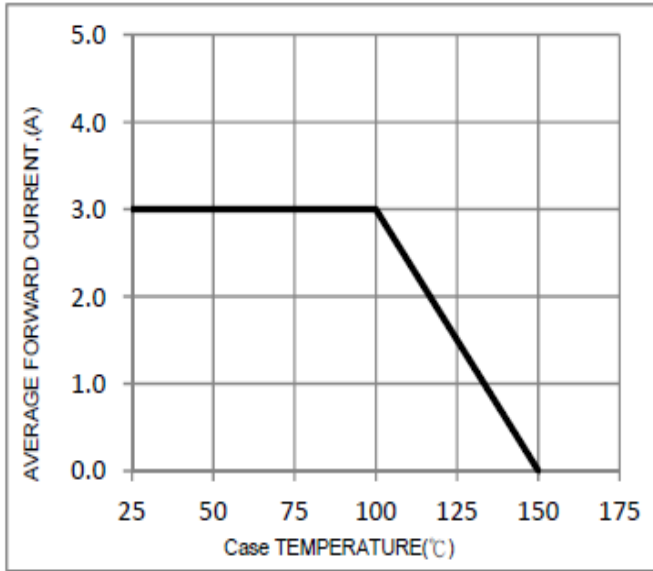


FIG. 2-Typical Forward Characteristics

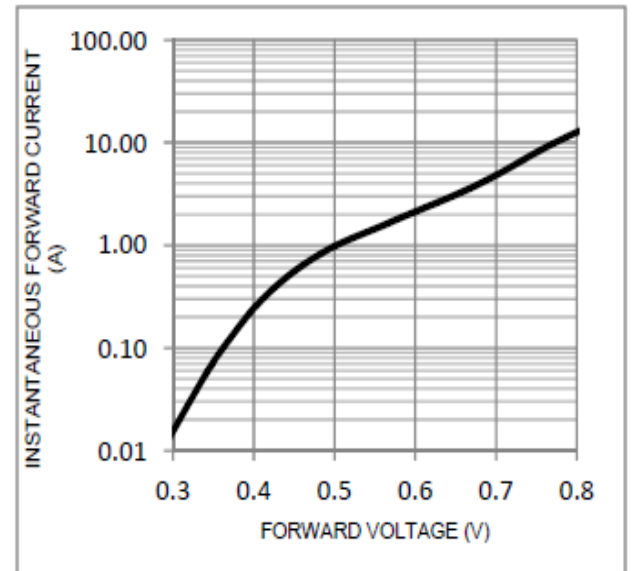


FIG. 3-Maximum Non-Repetitive Forward Surge Current

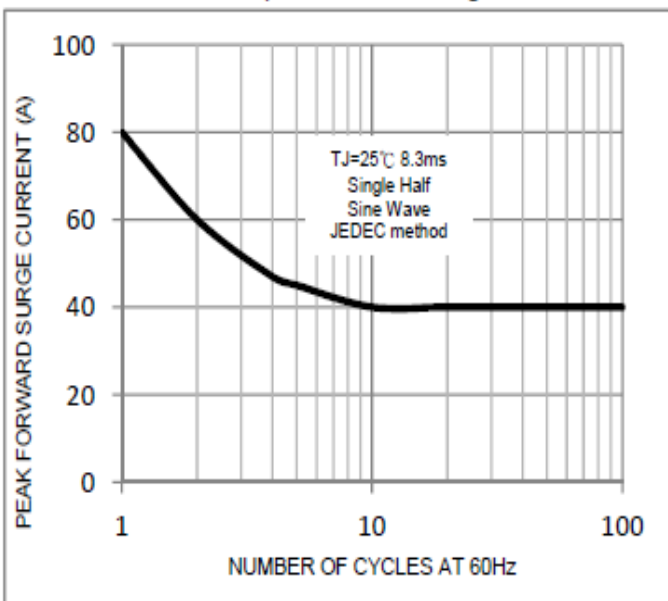


FIG. 4-Typical Reverse Characteristics

