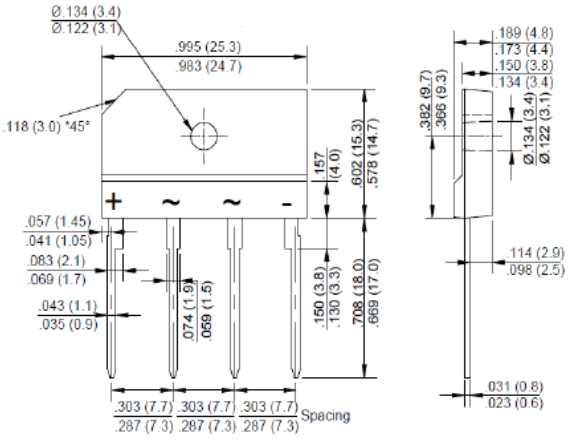


<p>GLASS PASSIVATED BRIDGE RECTIFIERS</p>	<p>REVERSE VOLTAGE 50 to 1000 Volts FORWARD CURRENT 10 Amperes</p>
<p>FEATURES</p> <ul style="list-style-type: none"> • Ideal for printed circuit board • Low forward voltage drop • High surge current capability • Glass passivated chip <p>MECHANICAL DATA</p> <ul style="list-style-type: none"> • Polarity: As marked on Body • Mounting position: Any 	<p style="text-align: center;">4GBJ</p>  <p style="text-align: center;">Dimensions in inches and (millimeters)</p>

MAXIMUM RATINGS AND ELECTRICAL CHARACTERISTICS
Ratings at 25°C ambient temperature unless otherwise specified.
Single phase, half wave, 60Hz, resistive or inductive load.
For capacitive load, derate current by 20%

Characteristics	Symbol	4GBJ 10005	4GBJ 1001	4GBJ 1002	4GBJ 1004	4GBJ 1006	4GBJ 1008	4GBJ 1010	Unit
Maximum Repetitive Peak Reverse Voltage	V_{RRM}	50	100	200	400	600	800	1000	V
Maximum RMS Reverse Voltage	V_{RMS}	35	70	140	280	420	560	700	V
Maximum DC Blocking Voltage	V_{DC}	50	100	200	400	600	800	1000	V
Maximum Average Forward (with heatsink Note2) Rectified Current @TC=100 °C (without heatsink)	$I_{(AV)}$	10 3							A
Peak Forward Surge Current, 8.3 ms Single Half Sine-wave Superimposed on Rated Load (JEDEC method)	I_{FSM}	210							A
Peak Forward Voltage Per Diode at 5A DC	V_F	1							V
Maximum DC Reverse Current @T _J =25°C at Rated DC Blocking Voltage @T _J =125°C	I_R	5 500							μA
I ² t Rating for Fusing (t<8.3ms)	I ² t	183							A ² s
Typical Junction Capacitance Per Element (Note1)	C_J	55							pF
Typical Thermal Resistance to Ambient (without heatsink)	$R_{\theta JA}$	24							°C/W
Typical Thermal Resistance to case (with heatsink Note2)	$R_{\theta JC}$	1.4							°C/W
Typical Thermal Resistance to lead (without heatsink)	$R_{\theta JL}$	3							°C/W
Junction and Storage Temperature Range	T _J , T _{STG}	-55 to +150							°C

NOTES: 1. Measured at 1.0MHz and applied reverse voltage of 4.0V DC.
2. Device mounted on 150mm*150mm*1.6mm Cu plate heatsink.

Rating and Characteristic Curves

Fig. 1 - Forward Current Derating Curve

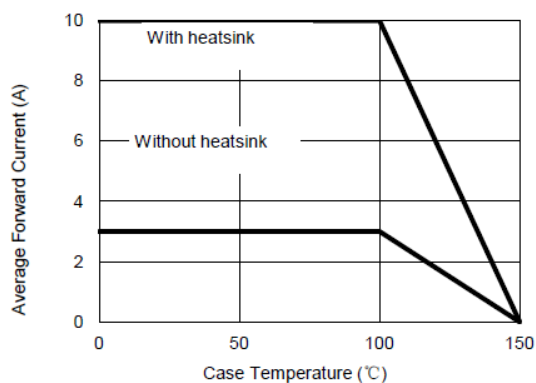


Fig. 2 - Maximum Non-Repetitive Surge Current

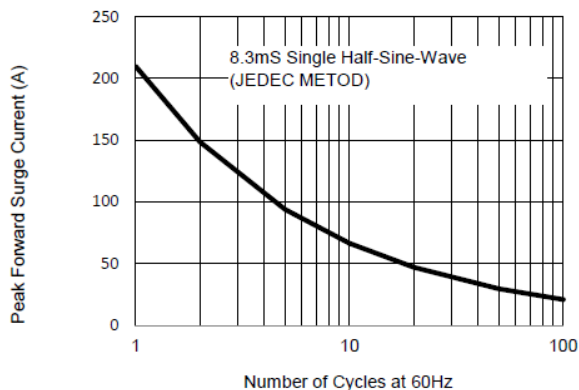


Fig. 3 - Typical Reverse Characteristics

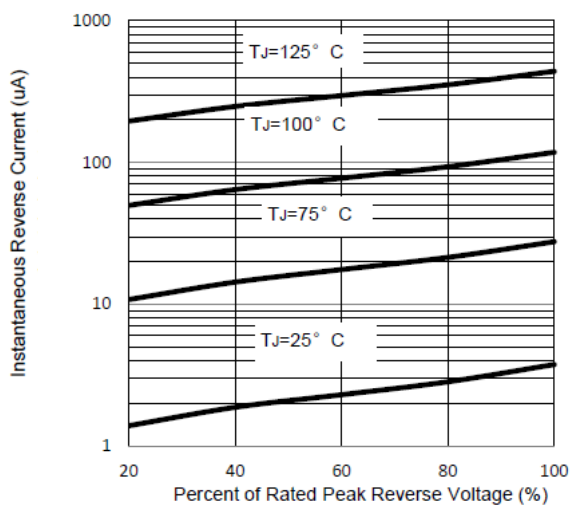


Fig. 4 - Typical Forward Characteristics

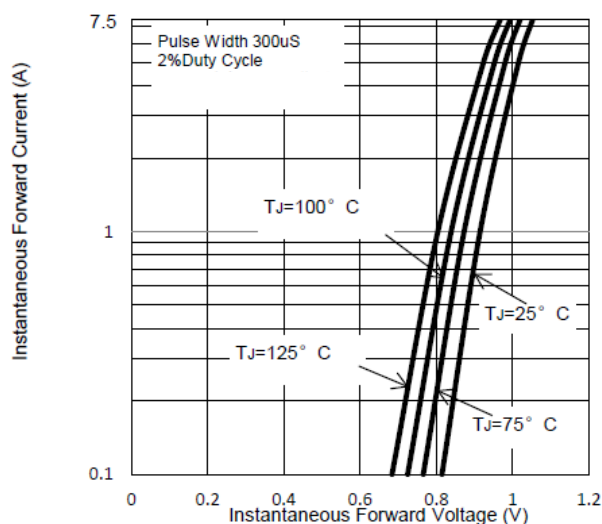


Fig. 5 - Typical Junction Capacitance

