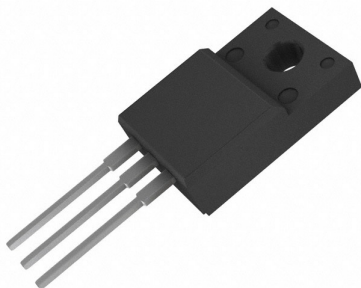
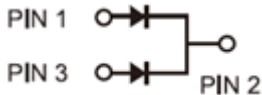


<p>Excellent Schottky Rectifier</p>	<p>REVERSE VOLTAGE - 200 Volts FORWARD CURRENT - 10.0 Amperes</p>
<p>FEATURES</p> <ul style="list-style-type: none"> • Low power loss, high efficiency • Low forward voltage drop • High forward surge capability • High frequency operation • Excellent high temperature stability • Excellent Schottky technology <p>MECHANICAL DATA</p> <ul style="list-style-type: none"> • Case: TO-220F • Polarity: As marked • Weight: Approximated 1.6 grams 	<p>TO-220F</p>  

<p>MAXIMUM RATINGS AND ELECTRICAL CHARACTERISTICS</p> <p>Ratings at 25°C ambient temperature unless otherwise specified. Single phase, half wave, 60Hz, resistive or inductive load. For capacitive load. derate current by 20%</p>
--

Characteristics	Symbol	Value		Unit
Maximum Repetitive Peak Reverse Voltage	V_{RRM}	200		V
RMS Reverse Voltage	V_{RMS}	140		V
Forward Voltage Drop $I_F=2A$ ($T_J=25^\circ C$) $I_F=5 A$ ($T_J=25^\circ C$)	V_F	Typ. 0.66 -	Max. - 0.82	V
Maximum Reverse Current at Rated V_{RRM} $T_J=25^\circ C$ $T_J=100^\circ C$	I_R	Max. 200 10		μA mA
Maximum Average Forward Rectified Current Total device Per diode	I_O	10 5		A
Peak Forward Surge Current, 8.3 ms Single Half Sine-wave Superimposed on Rated Load (JEDEC method)	I_{FSM}	100		A
Peak Repetitive Reverse Current at $t_p=2 \mu s$, 1 kHz,	I_{RRM}	1.0		A
Operating and Storage Temperature Range	T_J, T_{STG}	-55 to +150		$^\circ C$

Rating and Characteristic Curves

FIG. 1 MAXIMUM FORWARD CURRENT DERATING CURVE

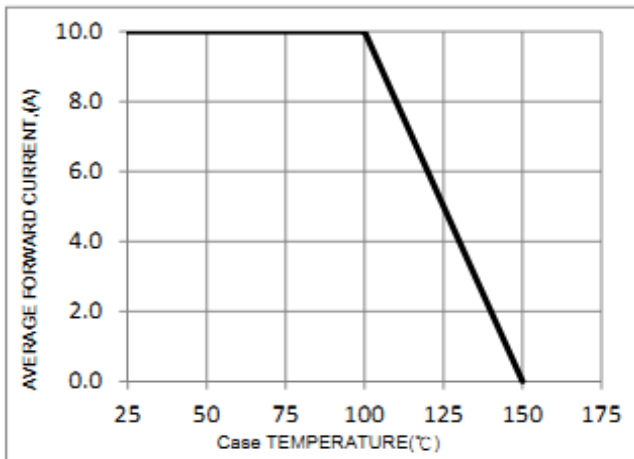


FIG. 2 MAXIMUM NON-REPETITIVE FORWARD SURGE CURRENT PER LEG

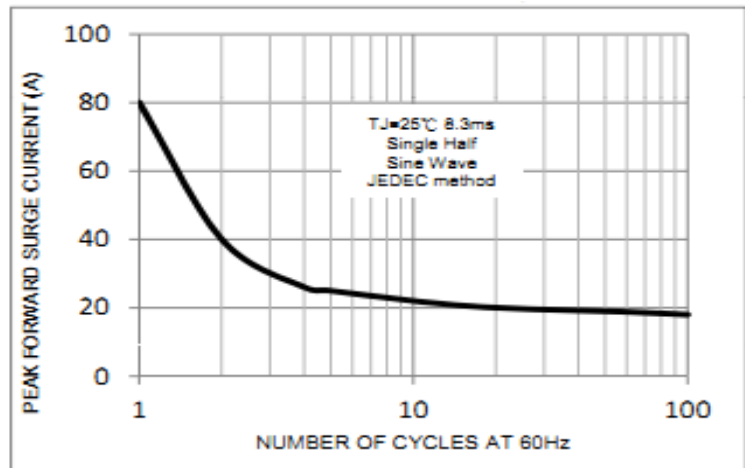


FIG. 3 TYPICAL FORWARD CHARACTERISTICS PER LEG

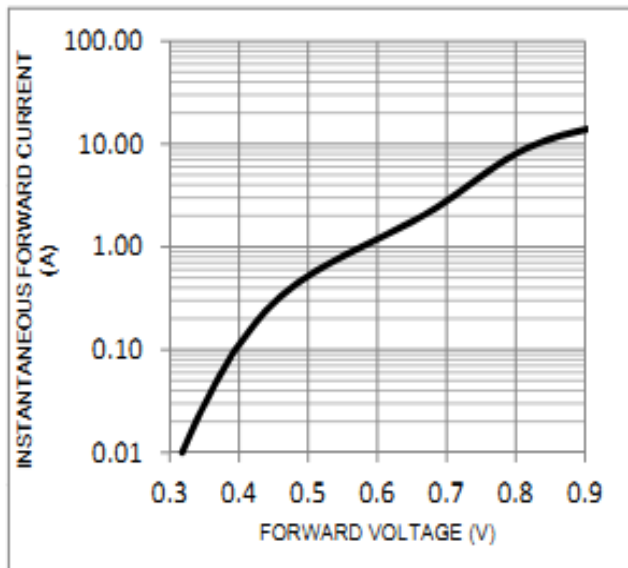


FIG. 4 TYPICAL REVERSE CHARACTERISTICS PER LEG

